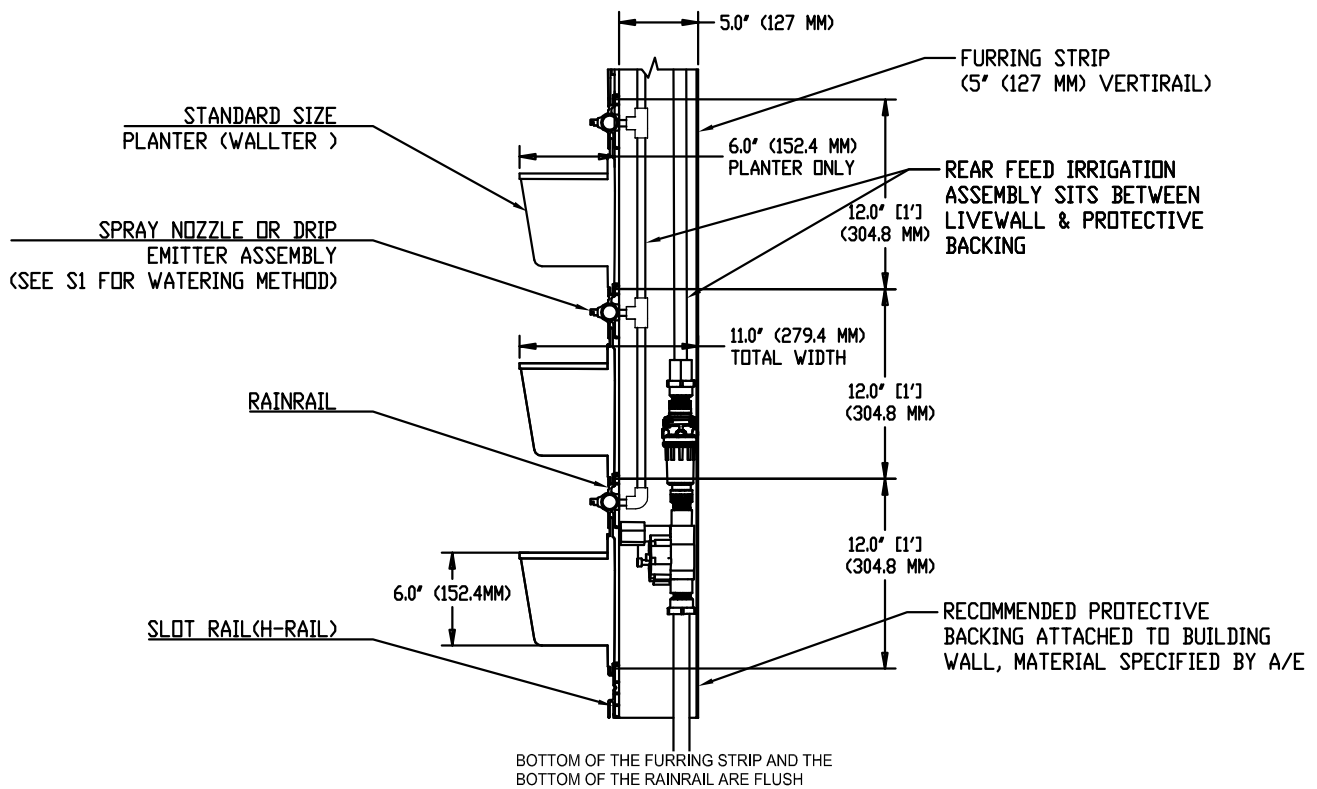


# LiveWall (Green Wall) Section SIDE VIEW - STANDARD SIZE PLANTERS REAR IRRIGATION

S2R



NOTES:  
1. REFER TO S1 FOR PLANTER COLOR, WATERING METHOD AND DRAIN TYPE.

**LiveWall®**

LiveWall, LLC  
P.O. Box 533  
Spring Lake, MI. 49456

[www.livewall.com](http://www.livewall.com)

(877) 554-4065